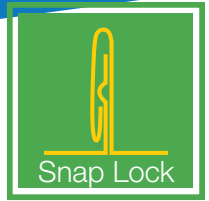
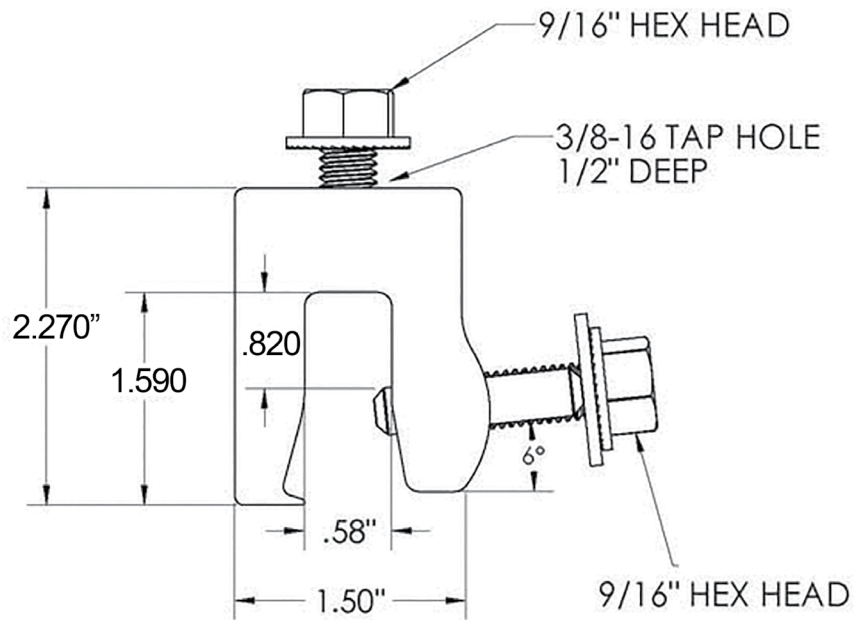


# Cut Sheet | 5056-N



## A2<sup>®</sup>N SSMR Clamp

- Pre-assembled clamp allows for easy torque installation
- Non-penetrating sliding pin design does not damage the panel
- High wind-load resistance
- Available for two or three-hole brackets
- Engineered for snow retention systems on double or snap-lock SSMR



**ACE**  
CLAMP<sup>®</sup>

a product of  
**PMC** Industries Inc

87 Spring Lane | Plainville, CT 06062

860-351-0686



The PROOF Is On The ROOF<sup>™</sup>

\*Photos shown are for representative purposes only. Actual product may vary. Design subject to change without notice. Additional panel profiles & torque specs: [www.aceclamp.com](http://www.aceclamp.com)

V110718