

Available for all roof styles. Inquire with your sales rep.

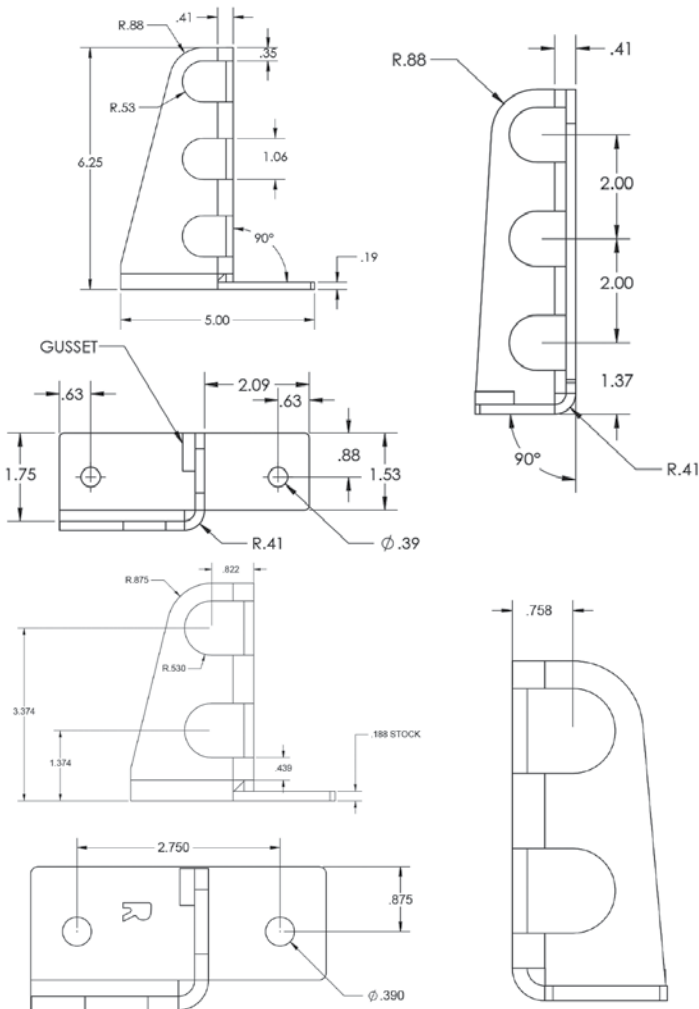
VAB™ (Variable Angle Bracket)

US Patent# D,866,305 & D,866,306

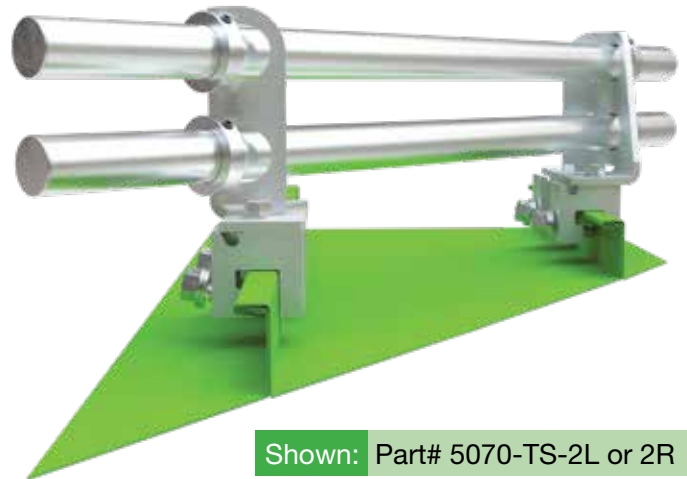
A flexible system for non-standard installations

- Easily installs to any angle to contain drifting snow
- Can also be added on gable & hip roofs where secondary & tertiary snow loads exist
- Can provide a snow defense for any angles other than 90 degrees
- Eliminates the need for multiple snow retention rows, parallel to the eave or ridge
- Assembly includes necessary Clamp and Bracket. Collars, Bars and Ice Flags sold separately.

Specifications



Shown: Part# 5070-TS-3L or 3R
w/accessories



Shown: Part# 5070-TS-2L or 2R
w/accessories

**ACE
CLAMP**®
Innovative Roofing Solutions™



Free Samples and Ordering:
860-351-0686 / www.AceClamp.com

*Based on typical contractor experiences. Photos shown are for representative purposes only. Actual product may vary. Design subject to change without notice. Additional panel profiles & torque specs: aceclamp.com. Always use proper safety equipment when working on a roof. Do NOT use as a personal fall safety device.

V041122