

Cut Sheet | 5096-STMB



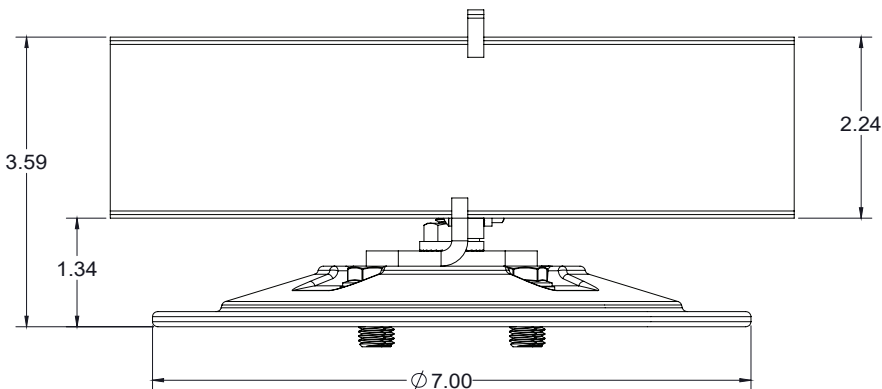
Snow Titan®-M Heavy Duty Membrane Snow Guard System

This system is designed to handle *heavier snow loads on low slope roofs*

- Originally designed for 42" insulated panels and can weather extreme applications
- No cuts, wood blocking, flashing or adhesives!
- Screw down bracket allows for easy installation
- Assembly includes necessary Snow Titan Bracket and PowerGrip Universal 7 Mount. Rail and Connectors are sold separately.
- Ice Clips snap into place for easy installation (custom ice clips sold separately)
- Installs in half the time of competitive products*

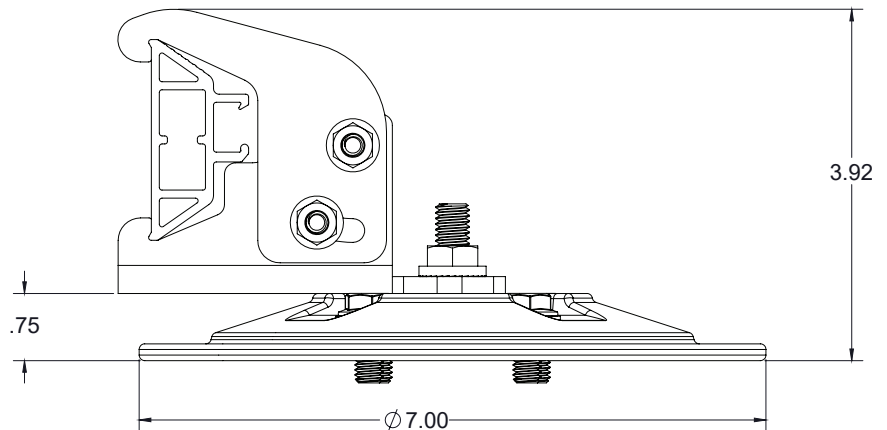


Specifications



Shown: Part# 5096-ST-MB KIT

w/accessories



**ACE
CLAMP**®
Innovative Roofing Solutions™

a product of
PMC Industries Inc

87 Spring Lane | Plainville, CT 06062
860-351-0686



*Based on typical contractor experiences. Photos shown are for representative purposes only. Actual product may vary. Design subject to change without notice. Additional panel profiles & torque specs: aceclamp.com. Always use proper safety equipment when working on a roof. Not responsible for typographical errors.

V092223