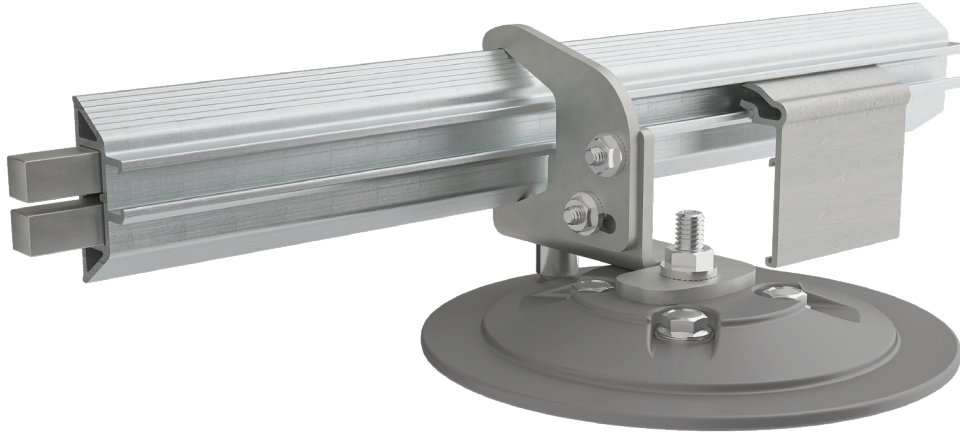


Cut Sheet | 5096-STMB



Snow Titan®-M Heavy Duty Membrane Snow Guard System

This system is designed to handle *heavier snow loads on low slope membrane roofs*

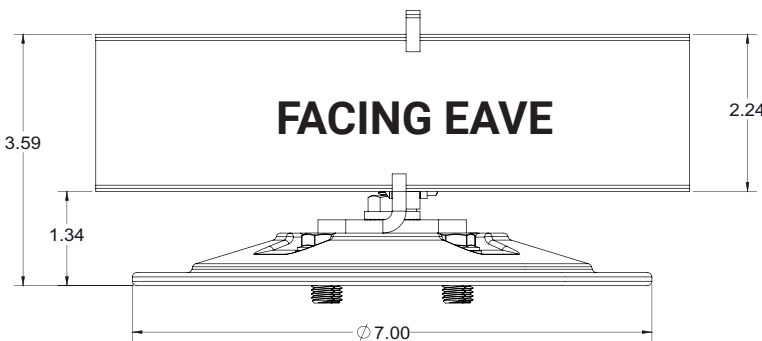


Shown: Part# 5096-ST-MB KIT

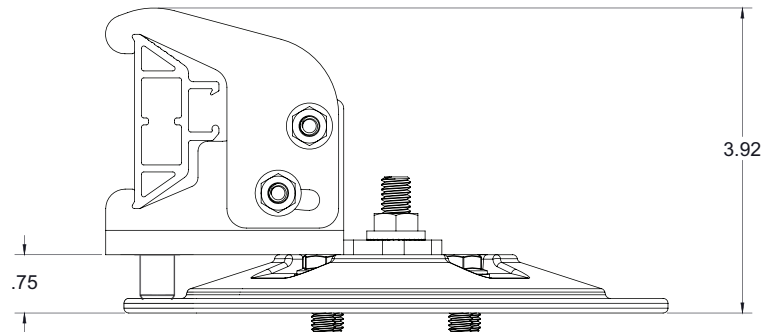
w/accessories

- Unique design offers uncompromising strength
- Installs in half the time of competitive products*
- No cuts, wood blocking, flashing or adhesives!
- Uses proven technology & products
- Load tested by third party
- Heavy-duty design for up to 48" spacing
- Ice clips snap into place for easy installation
- One-of-a-kind strong clamping claw
- Assembly includes Snow Titan Bracket and PowerGrip Universal 7 Mount. (Rail and Ice Clip sold separately)

Specifications



Also shown: Snow Titan Bar Part# 5096-ST (7.5' avail)



→ UPSLOPE

ACE
CLAMP®
Innovative Roofing Solutions™

a product of
PMC Industries Inc

87 Spring Lane | Plainville, CT 06062
860-351-0686

*Based on typical contractor experiences. Photos shown are for representative purposes only. Actual product may vary. Design subject to change without notice. Additional panel profiles & torque specs: aceclamp.com. Always use proper safety equipment when working on a roof. Not responsible for typographical errors.

V260506