

BRACKETS SNOW RETENTION

FOR USE WITH SOLAR PANELS



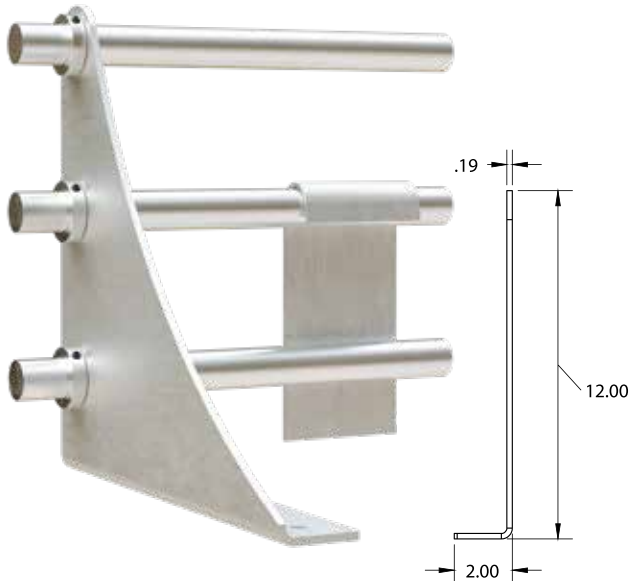
Heavy Duty Bar Extended Snow Bracket

This system is designed for roof applications

- Installation to be completed in accordance with the manufacturer's written specifications and installation instructions.
- Manufactured in Aluminum, Stainless Steel or Brass
- Contact AceClamp® for custom layouts and materials
- Slate applications require a base plate, which is sold separately. (see page 42)
- Compatible for solar arrays



Shown: Part# 5070-HD-4.5



Shown: Part# 5070-HD-3.5

