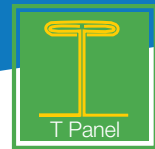




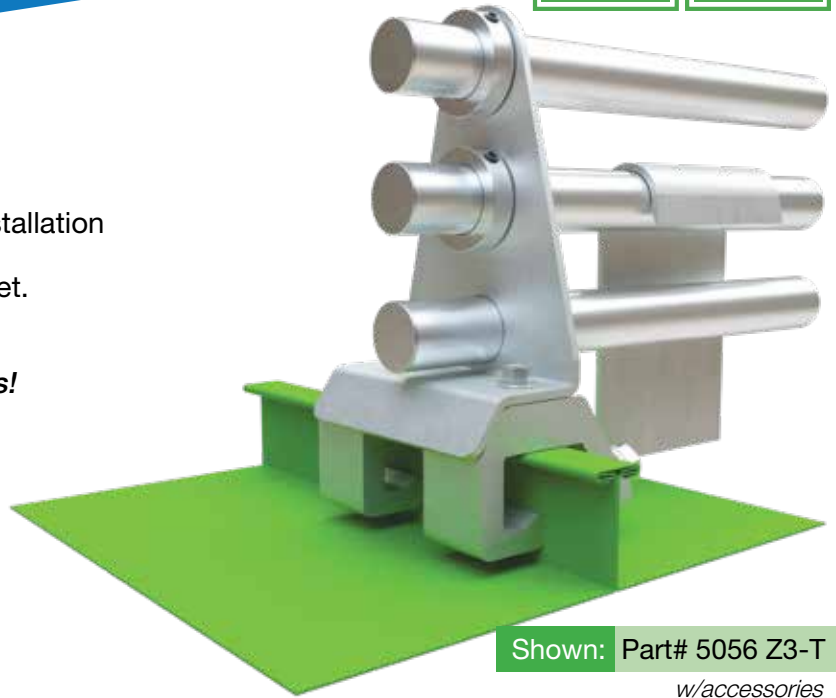
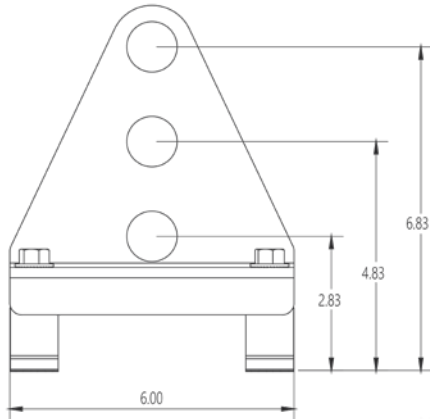
BAR SYSTEMS SNOW RETENTION

FOR SSMR

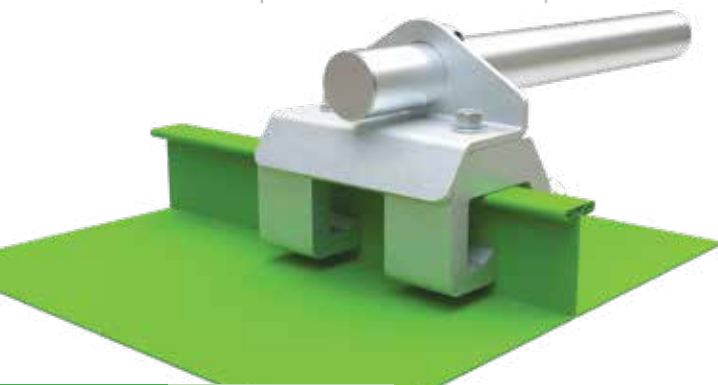


A2®T Bar Snow Guard System

- Pre-assembled clamp allows for easy torque installation
- Assembly includes necessary Clamp and Bracket. Collars, Ice Flags and Bars are sold separately.
- **Installs in half the time of competitive products!**



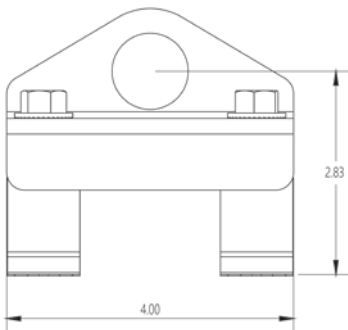
Shown: Part# 5056 Z3-T
w/accessories



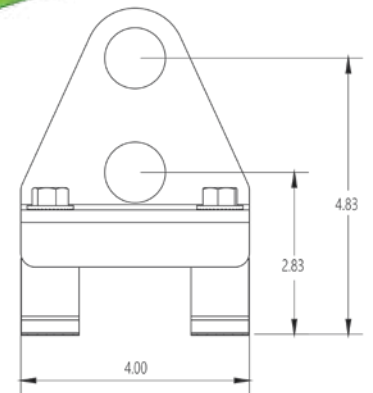
Shown: Part# 5056 Z1-T
w/accessories



Shown: Part# 5056 Z2-T
w/accessories



SCAN FOR TORQUE SPECS OR REFER TO PAPERWORK WITH PRODUCT PACKAGING



ACE
CLAMP®
Innovative Roofing Solutions™



Easy terms • No contracts • No minimums



*Based on typical contractor experiences. Photos shown are for representative purposes only. Actual product may vary. Design subject to change without notice. Additional panel profiles & torque specs: aceclamp.com. Always use proper safety equipment when working on a roof. Do NOT use as a personal fall safety device.