



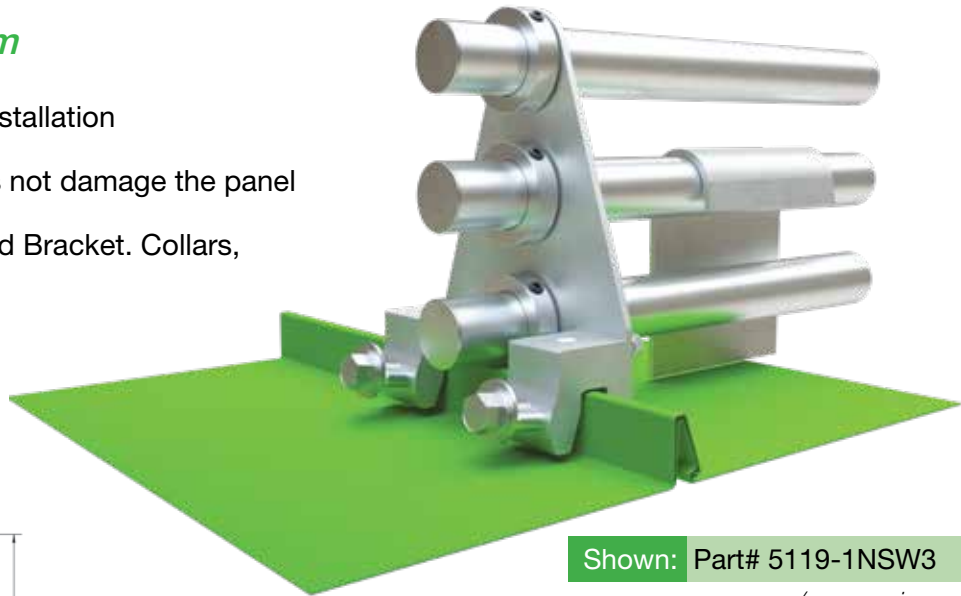
BAR SYSTEMS SNOW RETENTION

FOR SSMR

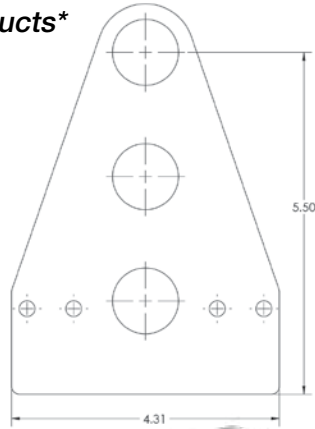


A2® Nw™ Bar Snow Guard System

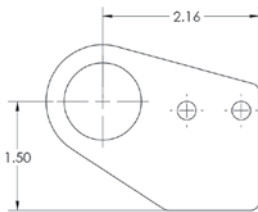
- Pre-assembled clamp allows for easy installation
- Non-penetrating sliding pin design does not damage the panel
- Assembly includes necessary Clamp and Bracket. Collars, Ice Flags and Bars are sold separately.
- Aircraft quality aluminum
- All stainless-steel hardware
- *Installs in half the time of competitive products**



Shown: Part# 5119-1NSW3
w/accessories



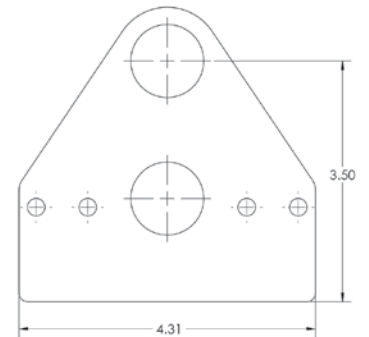
Shown: Part# 5119-1NSW1
w/accessories



SCAN FOR TORQUE SPECS OR REFER TO PAPERWORK WITH PRODUCT PACKAGING



Shown: Part# 5119-1NSW2
w/accessories



ACE CLAMP
Innovative Roofing Solutions™

👍 Easy terms • No contracts • No minimums 👍

*Based on typical contractor experiences. Photos shown are for representative purposes only. Actual product may vary. Design subject to change without notice. Additional panel profiles & torque specs: aceclamp.com. Always use proper safety equipment when working on a roof. Do NOT use as a personal fall safety device.

V041122