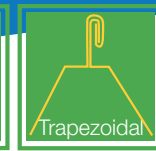
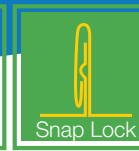




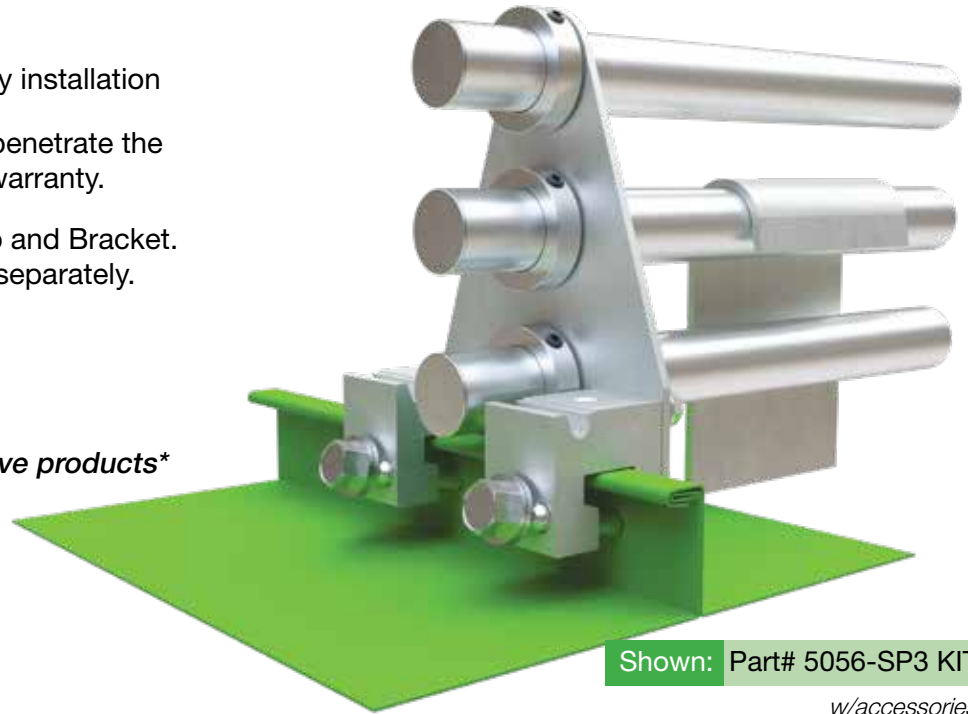
BAR SYSTEMS SNOW RETENTION

FOR SSMR



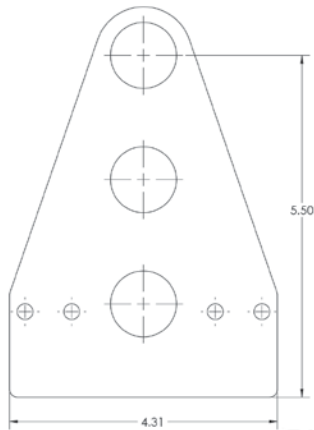
A2® Bar Snow Guard System

- Pre-assembled clamp allows for easy installation
- Patented slide-pin design does not penetrate the roof panel, therefore protecting the warranty.
- Assembly includes necessary Clamp and Bracket. Collars, Ice Flags and Bars are sold separately.
- Aircraft quality aluminum
- All stainless-steel hardware
- **Installs in half the time of competitive products***



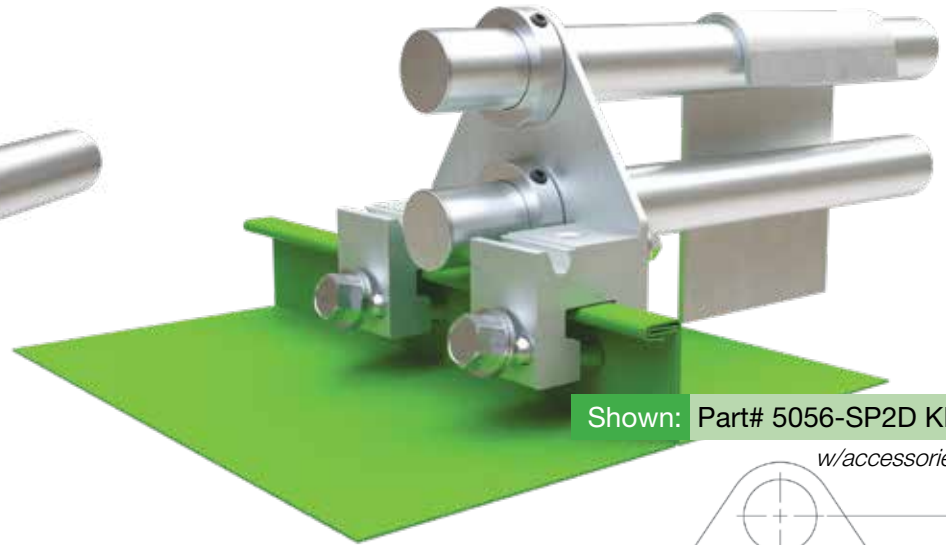
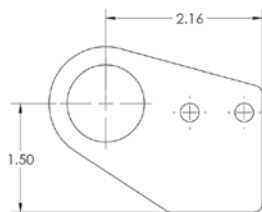
Shown: Part# 5056-SP3 KIT

w/accessories



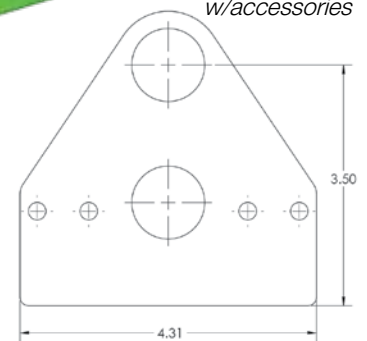
Shown: Part# 5056-SP1 KIT

w/accessories



Shown: Part# 5056-SP2D KIT

w/accessories



SCAN FOR TORQUE SPECS OR REFER TO PAPERWORK WITH PRODUCT PACKAGING

ACE CLAMP
Innovative Roofing Solutions™

👍 Easy terms • No contracts • No minimums 👍

*Based on typical contractor experiences. Photos shown are for representative purposes only. Actual product may vary. Design subject to change without notice. Additional panel profiles & torque specs: aceclamp.com. Always use proper safety equipment when working on a roof. Do NOT use as a personal fall safety device.