

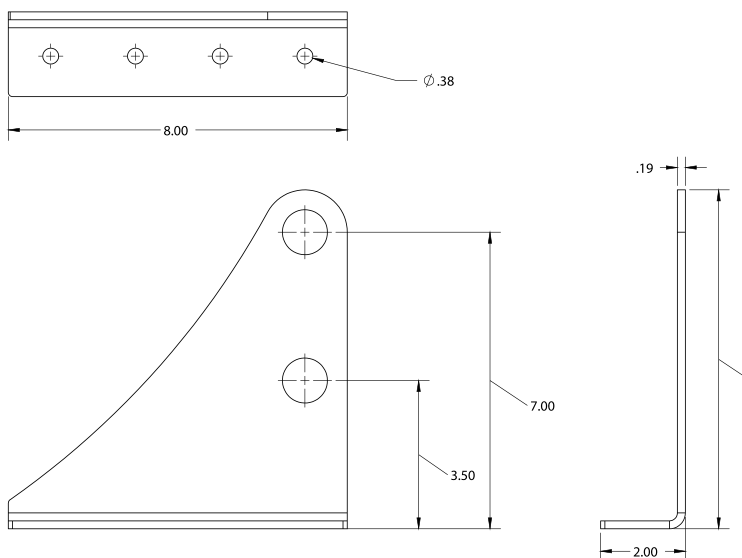
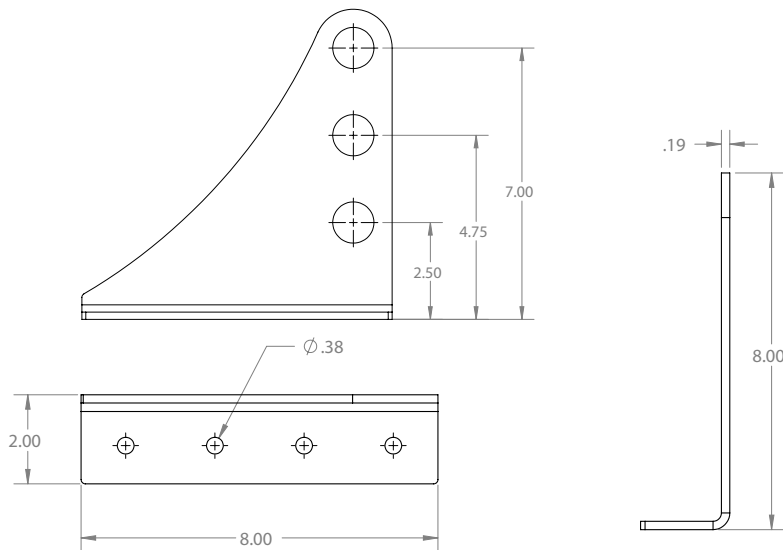
Heavy Duty Bar Snow Bracket

This system is designed for *heavier snow loads*

- Installation to be completed in accordance with the manufacturer's written specifications and installation instructions.
- Contact AceClamp® for custom layouts and materials
- Slate applications require a base plate, which is sold separately. (see page 42)



Shown: Part# 5070-HD-3.4



Shown: Part# 5070-HD-2.4

