



# BRACKETS SNOW RETENTION

FOR NON-SEAMED ROOFS



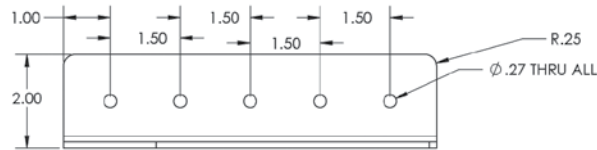
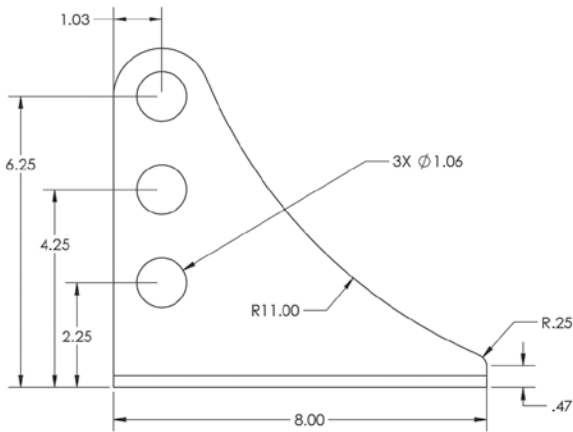
## Standard Bar Snow Bracket

This system is designed for *light to medium snow loads*

- Designed for screw down applications for metal, slate or asphalt
- Installation to be completed in accordance with the manufacturer's written specifications and installation instructions.
- Manufactured in Aluminum, Stainless Steel or Brass
- Contact AceClamp® for custom layouts and materials
- Slate applications require a base plate, which is sold separately. (see page 42)



Shown: Part# 5070-3



Shown: Part# 5070-2

