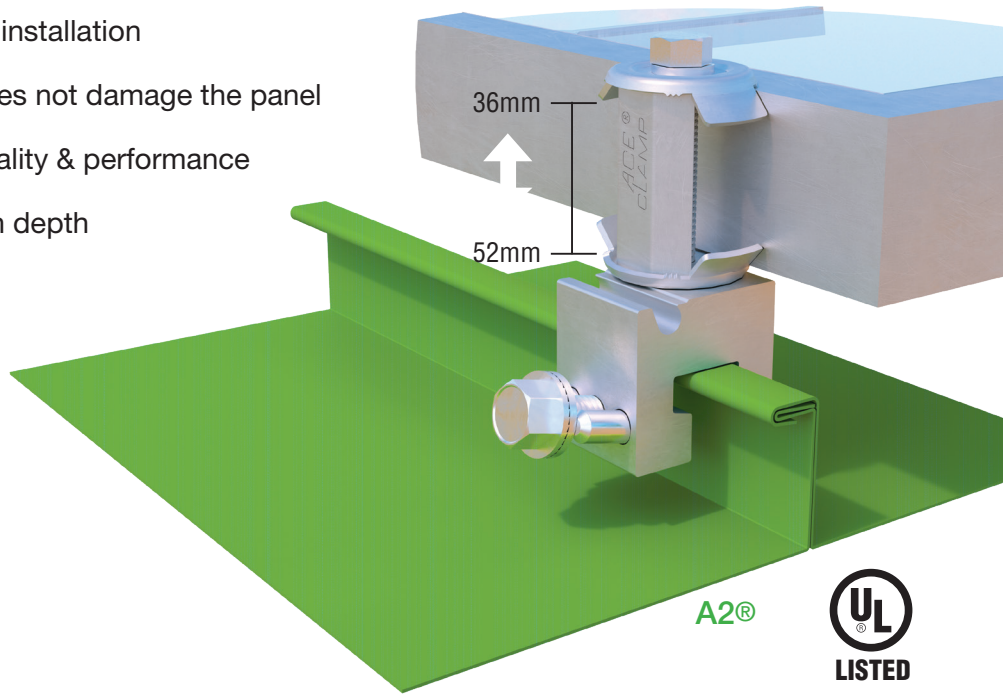


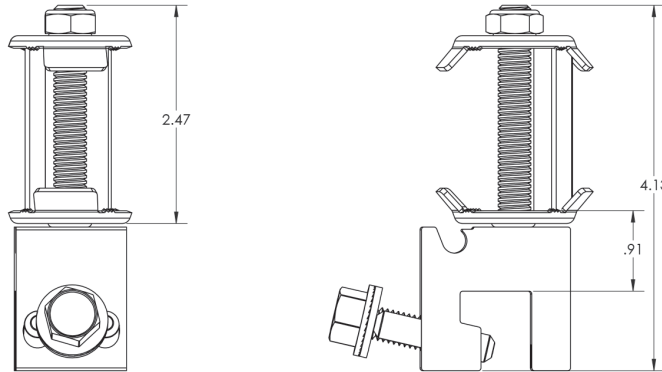
Rackless Solar PV Kit

US Patent# 8,505,864

- Pre-assembled clamp allows for easy installation
- Non-penetrating sliding pin design does not damage the panel
- Rigorous 3rd party testing ensures quality & performance
- Compatible with arrays of 36-52mm in depth
- Custom End Supports for your panel
- Clamps sold separately



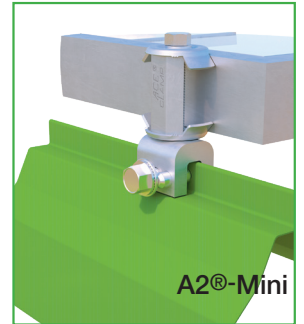
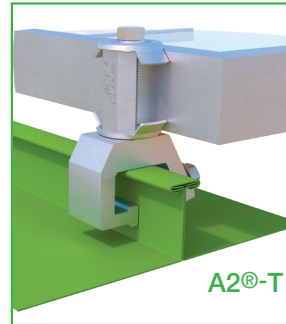
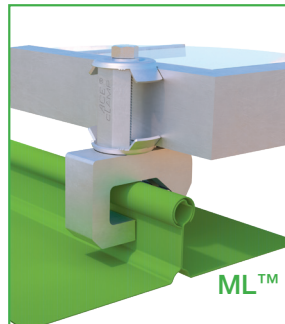
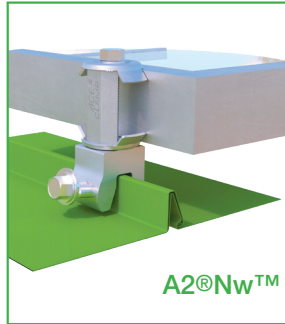
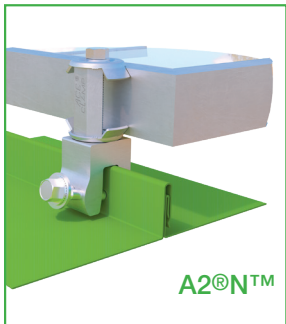
Specifications



Shown: Part# 081201

SCAN FOR TORQUE SPECS OR REFER TO PAPERWORK WITH PRODUCT PACKAGING

AceClamp Solar Kit works with all of our standing seam clamps!



**ACE
CLAMP**[®]
Innovative Roofing Solutions™



Free Samples and Ordering:
860-351-0686 / www.AceClamp.com

*Based on typical contractor experiences. Photos shown are for representative purposes only. Actual product may vary. Design subject to change without notice. Additional panel profiles & torque specs: aceclamp.com. Always use proper safety equipment when working on a roof. Do NOT use as a personal fall safety device. V030223