



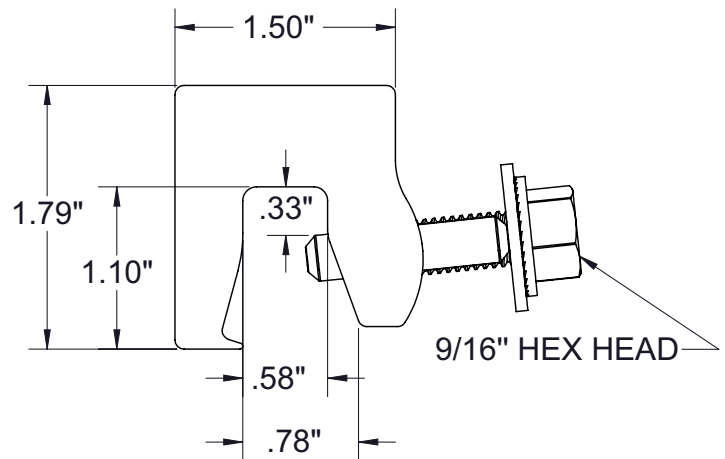
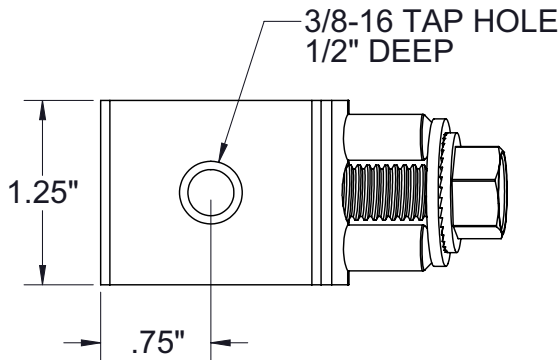
## A2® Nw™ SSMR Clamp

- Pre-assembled clamp allows for easy installation
- Non-penetrating sliding pin design does not damage the panel
- High wind-load resistance
- Also compatible with our patented Solar-Kit or L-Foot for attaching directly to any racking system
- Aircraft quality aluminum
- All stainless-steel hardware
- *Installs in half the time of competitive products\**



Shown: Part# 5119-1

### Specifications



#### RECOMMENDED TORQUE SPECS

	24ga steel	Aluminum	Copper
A2®-Nw™	175	165	n/a

The above is a general recommendation which varies by material type and panel thickness. For additional panel profiles and torque specs visit [www.AceClamp.com](http://www.AceClamp.com)

Not recommended for 29 gauge roof or up.

