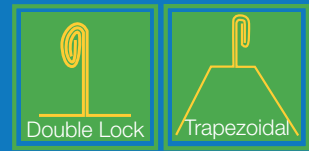


1" or less



### A2®-W (Wind Clamp)

- Pre-assembled clamp allows for a quick and easy installation
- Non-penetrating sliding pin design does not damage the panel
- High wind-load resistance
- Enhanced perimeter uplift resistance, without roof panel or purlin modifications
- 3rd party tested for load resistance
- *Installs in half the time of competitive products\**



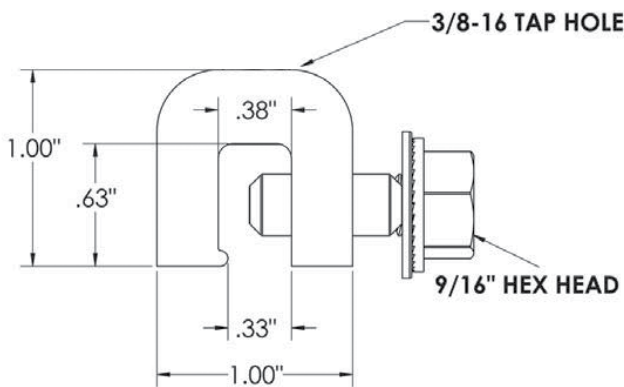
Shown: Part# 5083-W

### A2®-M (Mini Clamp)

- Pre-assembled clamp allows for a quick and easy installation
- Non-penetrating sliding pin design does not damage the panel
- 3rd party tested for load resistance
- Used for added strength for structural, solar, wind and seismic needs
- *Installs in half the time of competitive products\**



### Specifications



#### RECOMMENDED TORQUE SPECS

	24ga steel	Aluminum	Copper
Mini	175	135	n/a

The above is a general recommendation which varies by material type and panel thickness. For additional panel profiles and torque specs visit [www.AceClamp.com](http://www.AceClamp.com)



Shown: Part# 5083-M

