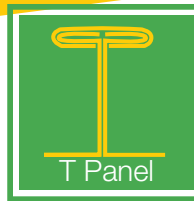
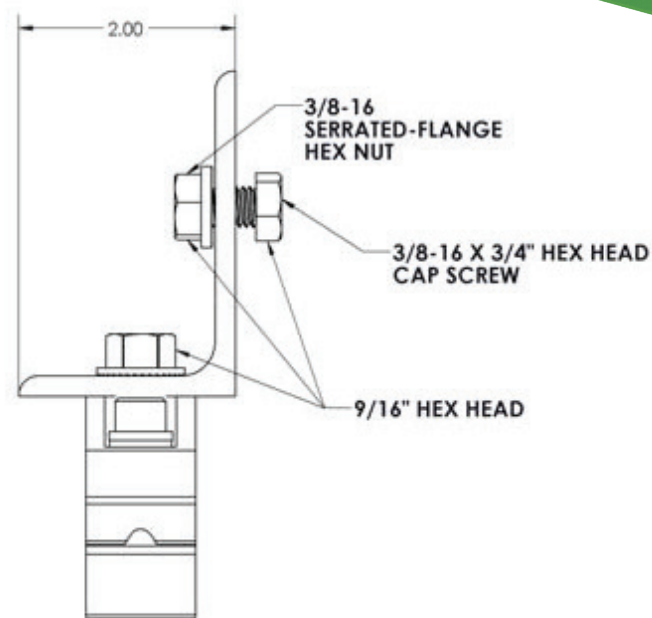
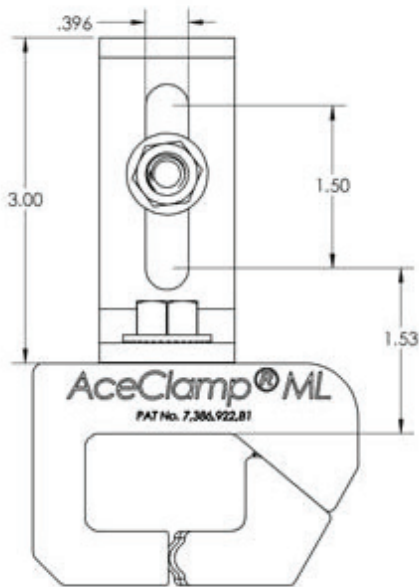
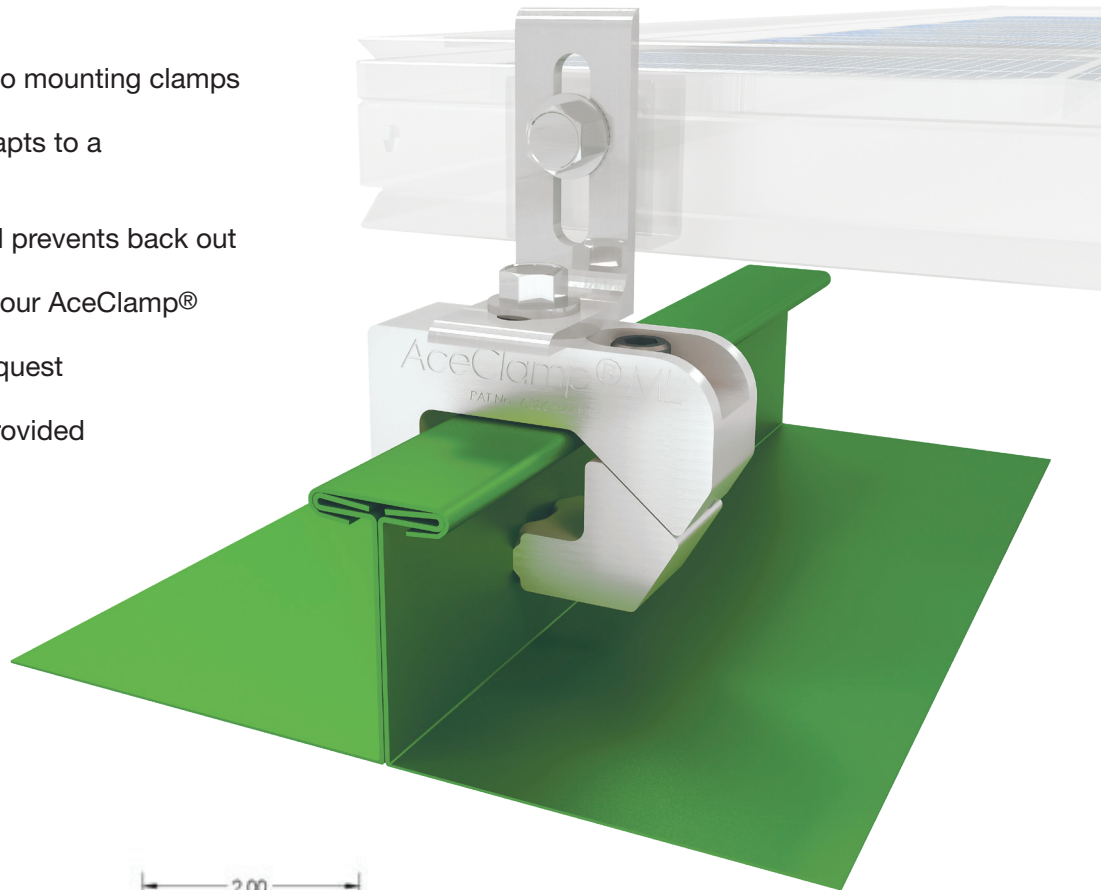


Cut Sheet 5058-LF



ML[®] Solar L-Foot Bracket

- Provides unobstructed access to mounting clamps
- Adjustable height and width adapts to a variety of panels & clamps.
- Serrated hex nut locks tight and prevents back out
- Common 9/16 bolt, as used on our AceClamp[®]
- Custom sizes available upon request
- Allowance for grounding wire provided



**ACE
CLAMP[®]**
Innovative Roofing Solutions™

a product of
PMC Industries Inc

87 Spring Lane | Plainville, CT 06062
860-351-0686



*Based on typical contractor experiences. Photos shown are for representative purposes only. Actual product may vary. Design subject to change without notice. Additional panel profiles & torque specs: aceclamp.com. Always use proper safety equipment when working on a roof. Not responsible for typographical errors.

V081419