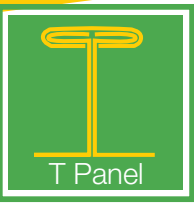


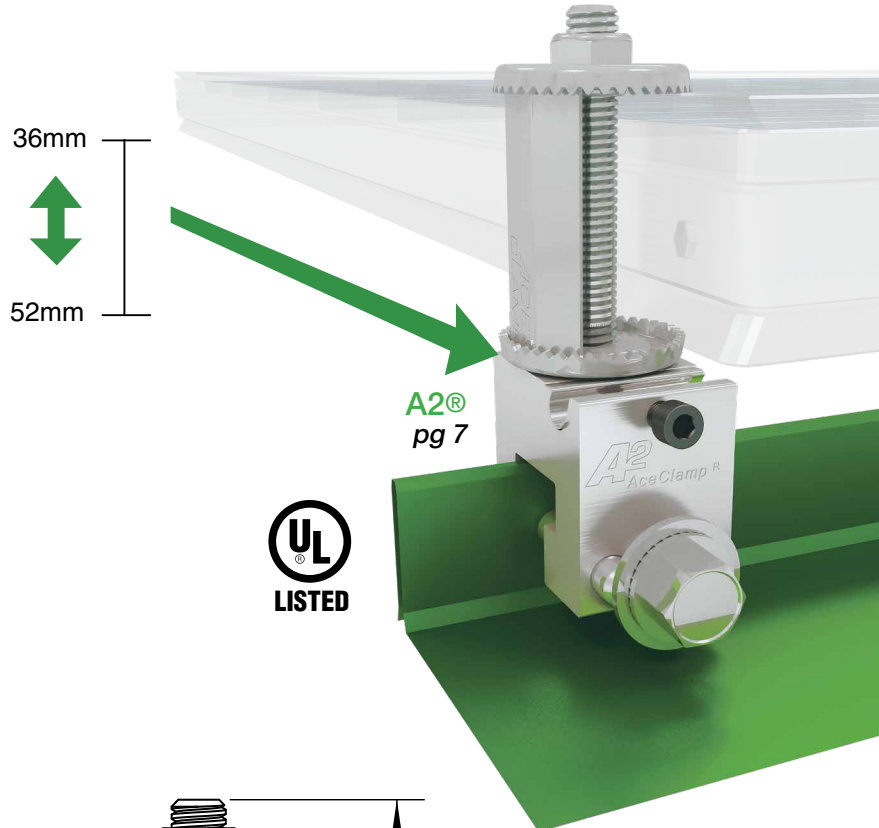
# Cut Sheet 081201



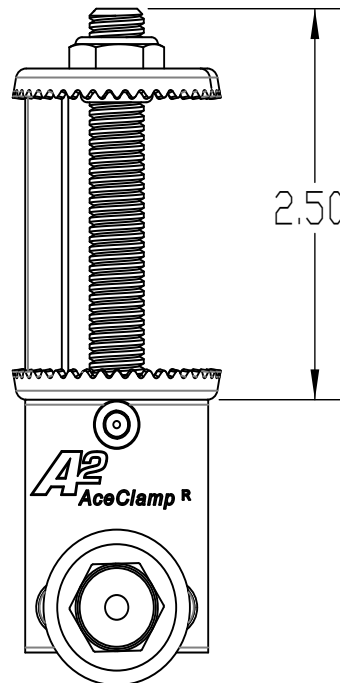
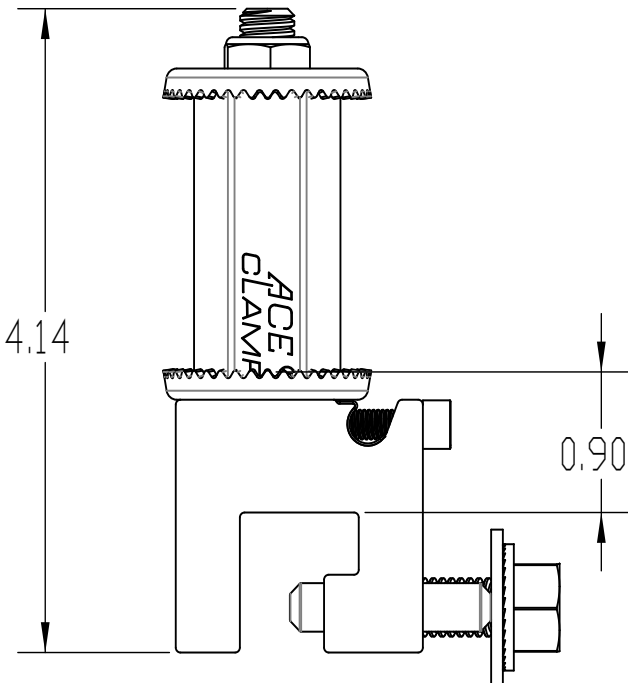
Designed to fit any SSMR panel seam

## A2® Solar PV Kit

- Pre-assembled clamp allows for easy torque installation
- Non-penetrating sliding pin design does not damage the panel
- Rigorous 3rd party testing ensures quality & performance
- Compatible with arrays of 36-52mm in depth
- Allowance for grounding wire provided



US Patent# 8,505,864



**ACE  
CLAMP®**

a product of  
**PMC Industries Inc**

87 Spring Lane | Plainville, CT 06062

860-351-0686



The PROOF Is On The ROOF™

\*Photos shown are for representative purposes only. Actual product may vary. Design subject to change without notice. Additional panel profiles & torque specs: [www.aceclamp.com](http://www.aceclamp.com)

V110718