

# ACECLAMP® A2® STYLE SNOW-BAR INSTALLATION INSTRUCTIONS



## REQUIRED COMPONENTS & TOOLS



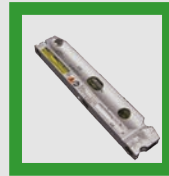
Industrial grade screw gun



5/32" hex drive bit &  
9/16" hex socket



Sawzall



chalk line or laser



Dial indicator torque  
wrench

**A typical AceClamp® A2® 1, 2 or 3 Snow-Bar assembly will consist of the following components:**

- 1" diameter Aluminum Tubing: 8' lengths
- Vertical Brackets: (1, 2 or 3 hole) assembled with the proper AceClamp® as dictated by the style of roof panel  
*(For Screw-Down brackets, see note below in Step 2)*
- Collars: installed at the end of the tubing runs to prevent lateral movement
- Internal Connectors: used to connect lengths of tubing together
- End Plugs: used to seal off the ends of tubing to prevent moisture and insect collection in tubing
- Ice Flags: to be mounted on the top bar of a two-bar system or the center bar of a three-bar system, centered between the seams.

**ACE  
CLAMP®**

Innovative Roofing Solutions™

a product of  
**PMG** Industries Inc

87 Spring Lane Plainville, CT 06062 • P: 860.351.0686 F: 860.351.0689

# ACECLAMP® A2® STYLE SNOW-BAR INSTALLATION INSTRUCTIONS

STEP  
# 1

Snap a line or use a laser to line up the brackets on the roof panel seams. Use a 9/16" hex bit in your screw gun to attach the AceClamp® and tighten to the torque values that are appropriate for your panel material and thickness.

The brackets are attached to the AceClamp® at the factory for your convenience. Please see the AceClamp® Data Sheet or contact your local AceClamp® distributor for recommended torque limits.



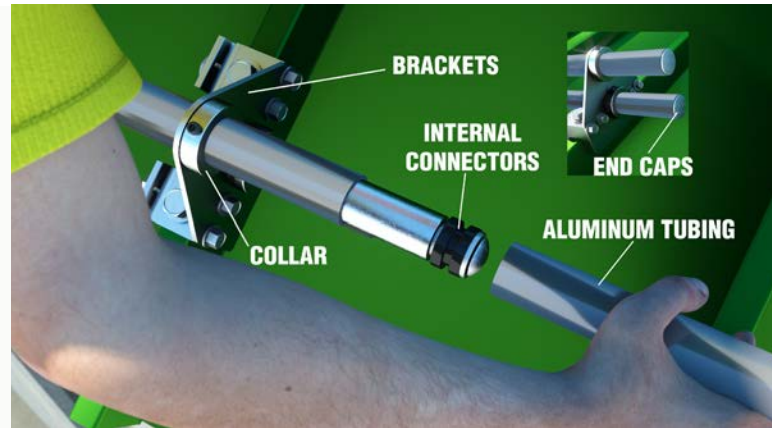
chalk line or laser

**IMPORTANT:** Follow the instructions that apply to the specific roof panel for the correct orientation of the AceClamp® A2® and the bracket.



STEP  
# 2

Carefully insert the 1" diameter aluminum tubing through the holes in the brackets and join the 8' lengths of tubing together with the Internal Connectors. *(For Screw-Down type brackets, please follow the same A2 Snow Bar Installation Instructions substituting with the Screw-Down brackets. The type of fastening screws will be dependent on the substrate and/or anchor point. Neoprene gaskets are provided with all brackets to assure a positive leak-proof seal. Please consult with a professional roofing installer or call AceClamp technical services.)*



STEP  
# 3

Insert the Internal Coupling into the end of one piece of tubing until one half of the aluminum body is still exposed.



STEP  
# 4

Twist the exposed portion of the body clockwise until there is tension between the rubber gasket and the inside of the tubing. Continue tightening until the Internal Connector cannot be pulled out of the tubing.



**ACE  
CLAMP®**  
Innovative Roofing Solutions™

a product of  
**PMG Industries Inc**

87 Spring Lane Plainville, CT 06062 • P: 860.351.0686 F: 860.351.0689

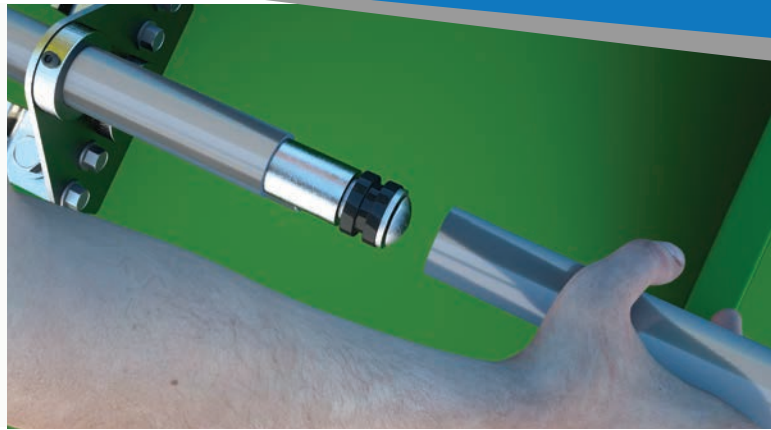


# ACECLAMP® A2® STYLE SNOW-BAR INSTALLATION INSTRUCTIONS

*(instructions continued)*

STEP  
# 5

Insert the next section of the tubing through the brackets and slide it over the exposed portion of the Internal Connector.



STEP  
# 6

Twist the new section of the tubing clockwise until the tubing cannot be pulled from the Internal Connector.



STEP  
# 7

Check to see that there is no gap between the lengths of tubing. If there is a gap simply twist the tubing counter-clockwise and push the tubing together and turn clockwise until it is tight again.



STEP  
# 8

Continue to assemble additional lengths of tubing until either the run is complete or you have installed 100 feet of tubing. Continuous runs of tubing should be limited to 100 feet max to allow for thermal expansion.



*(instructions continued on back)*

\*Photos shown are for representative purposes only. Actual product may vary. Design subject to change without notice. Always use OSHA approved safety equipment and procedures when working on a roof. Not responsible for typographical errors.

# ACECLAMP® A2® STYLE SNOW-BAR INSTALLATION INSTRUCTIONS

(Instructions continued)

STEP  
#9

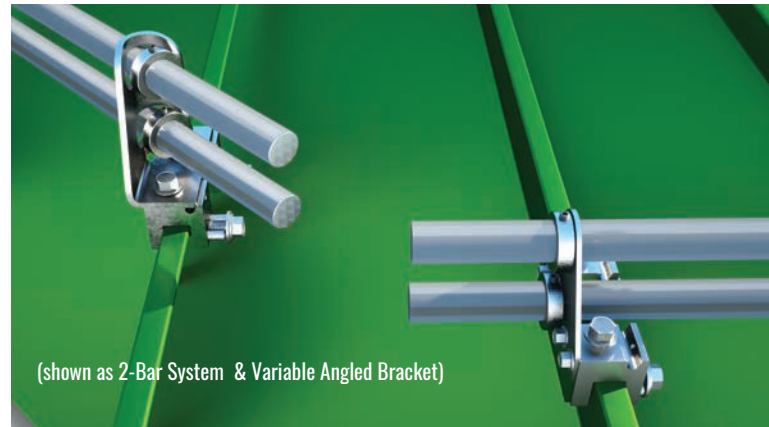
Install Collars at each end of the run of tubing outside of the end most brackets to prevent the tubing from shifting from side to side. **DO NOT** install Collar right against the bracket.

A minimum of 1/8" clearance should be provided per 8' length of run to allow for thermal expansion up to a maximum of 1" total clearance for the 100' max. run. Tighten collars with the 5/32" hex drive bit until the Collar is secure.



STEP  
#10

Ensure that tubing does not extend more than 6" beyond either end bracket. Cut or adjust if necessary.



STEP  
#11

End Plugs finish off your Snow-Bar and keep moisture and insects from the inside of the tubing. Simply press the End Plug into the end of the tube.



STEP  
#12

Ice Flags, when needed, should be installed on the top bar of two-bar systems and the middle bar of three-bar systems. Fasten to bar using self-tapping screws. This will control the downward sliding of the snow as it melts.



**ACE  
CLAMP®**  
Innovative Roofing Solutions™

a product of  
**PMG Industries Inc.**

87 Spring Lane Plainville, CT 06062 • P: 860.351.0686 F: 860.351.0689

## ***Installation Tips & Precautions***

- Continuous runs of Snow-Bars should be limited to 100 feet to allow for thermal expansion.
- Allow clearance between Collars and the brackets on each end of run of Snow-Bar tubing to allow for thermal expansion.
- Install each AceClamp® to the recommended torque limit for the panel material and thickness. (See AceClamp® A2® Data Sheets or contact AceClamp® Engineering.)
- Trim tubing if necessary so that tubing does not extend more than 6” beyond each end bracket.
- At no time should you use the AceClamp® A2® as part of your fall protection system!



The management at PMC Industries, Inc. is committed to providing you, our customer the fastest, easiest and safest attachment devices for your snow retention system. We welcome suggestions that will make your job easier.

\*Photos shown are for representative purposes only. Actual product may vary. Design subject to change without notice. Always use OSHA approved safety equipment and procedures when working on a roof. Not responsible for typographical errors.