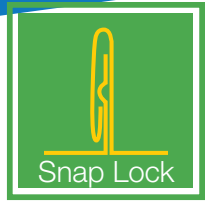


# Cut Sheet | 5056-NS2D



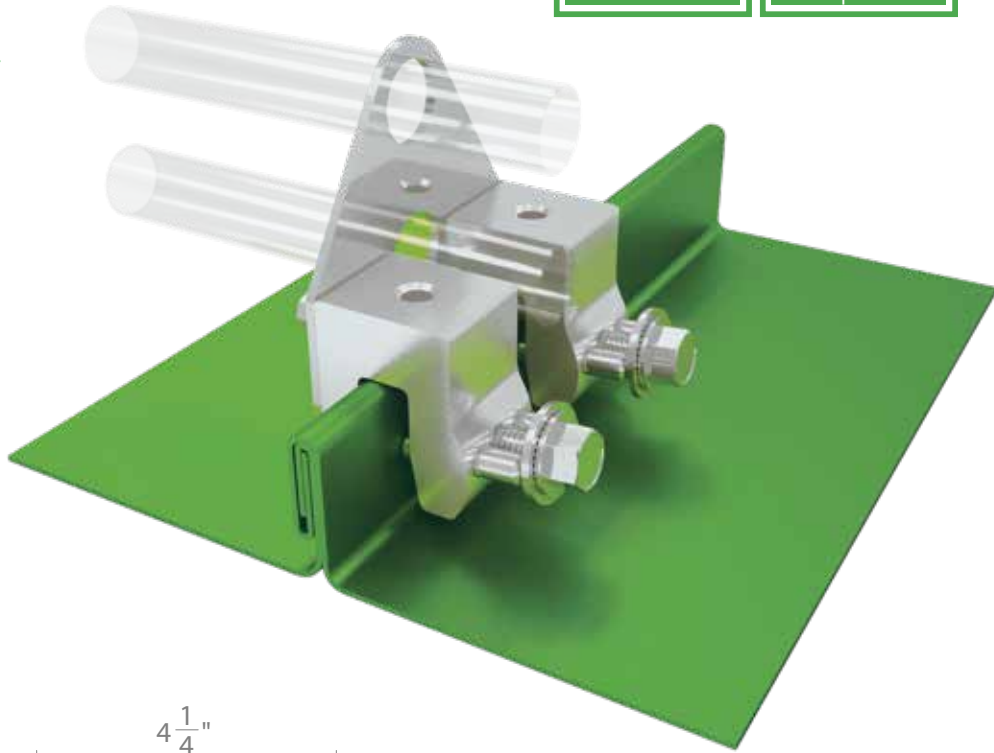
Double Lock



Snap Lock

## A2N®, 2-Bar, 2 Clamp Assembly

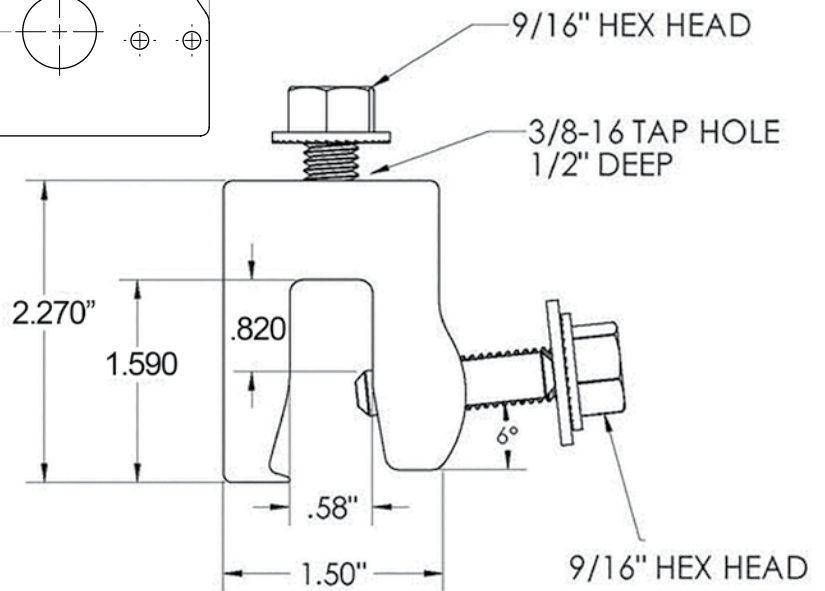
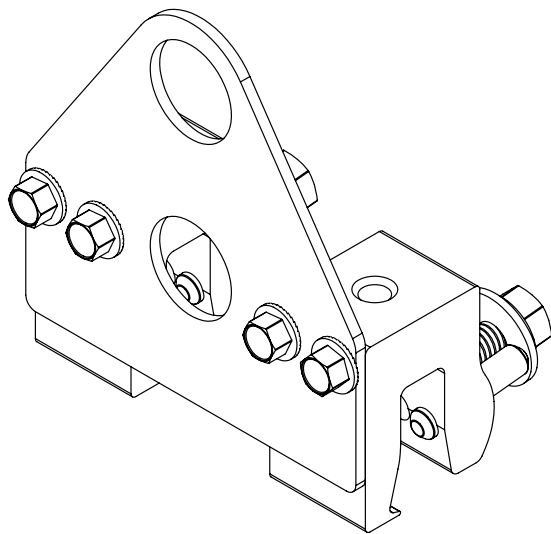
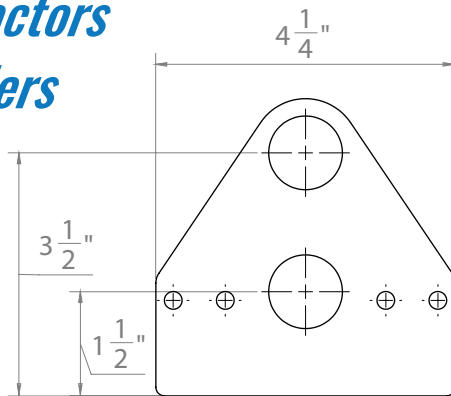
- Our 2 bar, 2 clamp system is designed for **moderate to heavy snow loads**
- Pre-assembled clamp allows for easy torque installation
- Non-penetrating sliding pin design does not damage the panel
- Includes (2) fully-assembled A2N® clamps with a 2-hole snow bracket
- Installs in half the time of competitive products\*



*Designed for Architects*

*Manufactured for Contractors*

*Labor Savings for Installers*



\*Based on typical contractor experiences.

**ACE**  
CLAMP®

a product of  
**PMC** Industries Inc.

87 Spring Lane | Plainville, CT 06062

860-351-0686



The PROOF Is On The ROOF™

\*Photos shown are for representative purposes only. Actual product may vary. Design subject to change without notice. Additional panel profiles & torque specs: [www.aceclamp.com](http://www.aceclamp.com)

V11119