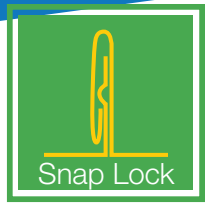
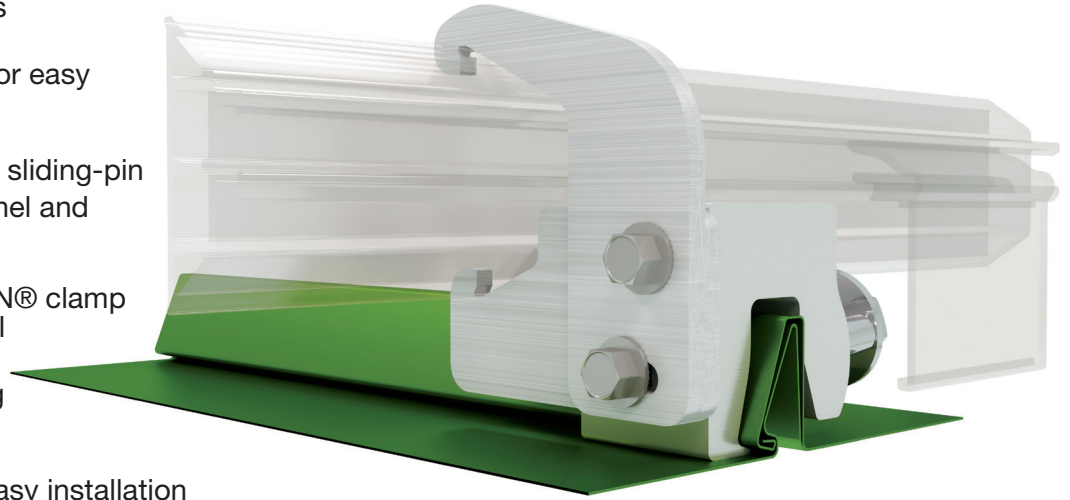


Cut Sheet | 5069-ST-A2N



A2N® SNOW TITAN® Snow Rail System

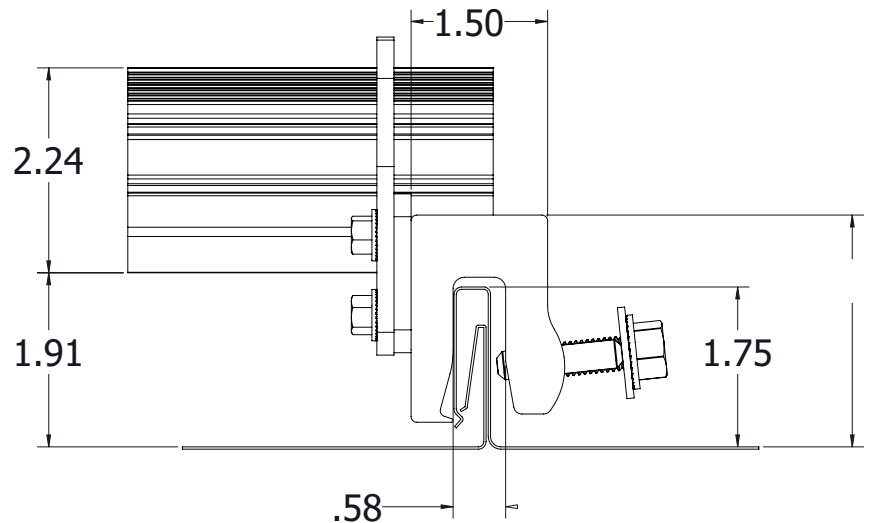
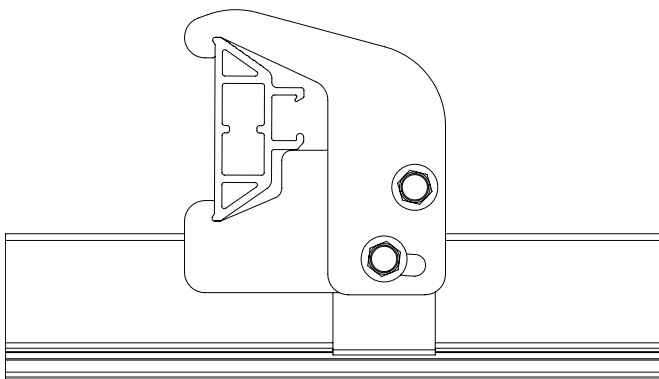
- The Snow Titan® rail system has been designed for heavy snow loads
- Pre-assembled clamp allows for easy torque installation
- Our patented, non-penetrating sliding-pin design helps to protect the panel and warranty
- Includes a fully-assembled A2N® clamp with our stronger, triangular rail
- One-of-a-kind strong clamping claw
- Ice Flags snap into place for easy installation



Designed for Architects

Manufactured for Contractors

Labor Savings for Installers



ACE
CLAMP[®]
Innovative Roofing Solutions™

a product of
PMC Industries Inc

87 Spring Lane | Plainville, CT 06062

860-351-0686



*Photos shown are for representative purposes only. Actual product may vary. Design subject to change without notice. Additional panel profiles & torque specs: www.aceclamp.com

V112219