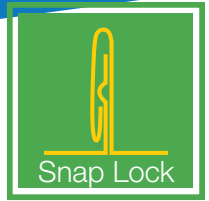
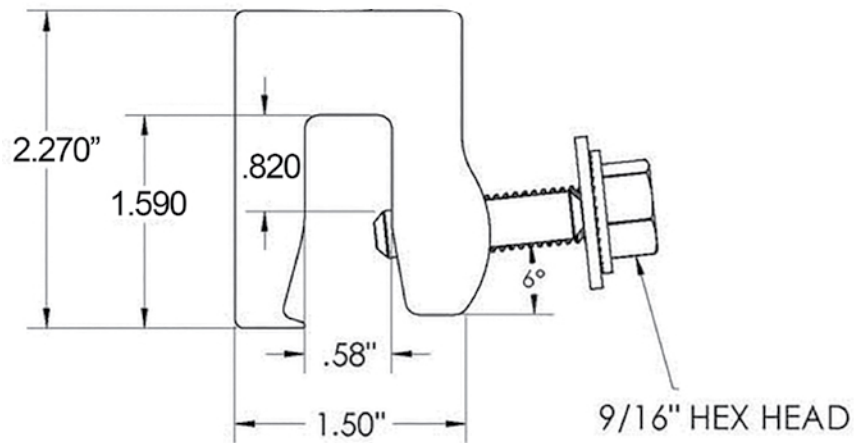


Cut Sheet | 5056-N



A2N® SSMR Clamp

- Pre-assembled clamp allows for easy torque installation
- Non-penetrating sliding pin design does not damage the panel
- High wind-load resistance
- Available for two or three-hole brackets
- Engineered for snow retention systems on double or snap-lock SSMR



ACE
CLAMP®

a product of
PMC Industries Inc.

87 Spring Lane | Plainville, CT 06062

860-351-0686



The PROOF Is On The ROOF™

*Photos shown are for representative purposes only. Actual product may vary. Design subject to change without notice. Additional panel profiles & torque specs: www.aceclamp.com

V11119