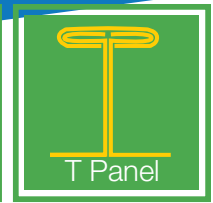
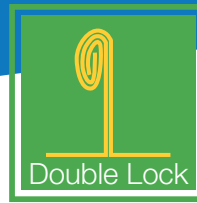
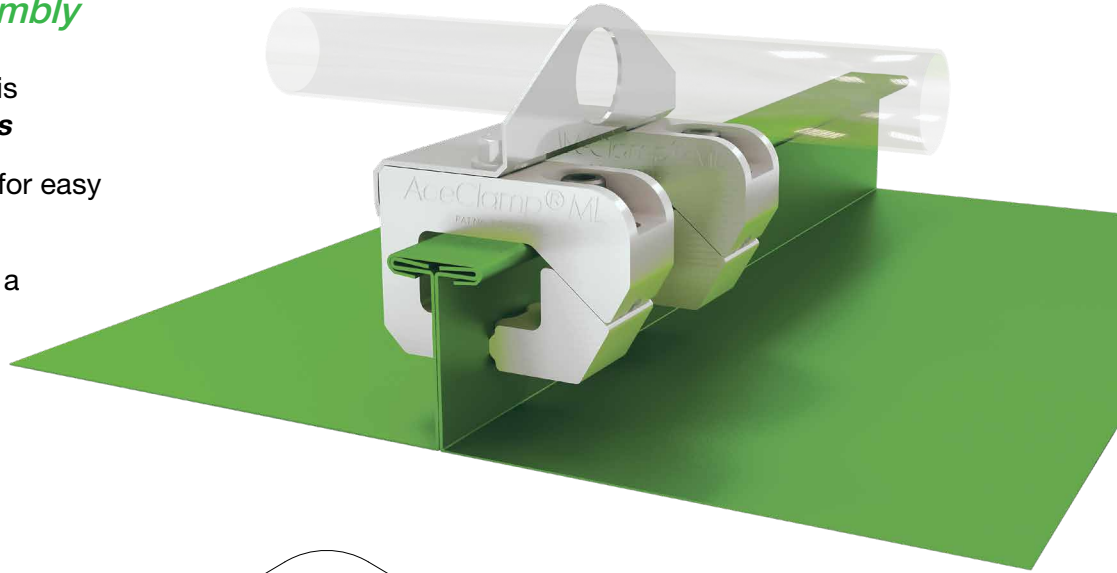


Cut Sheet | 5031 Z1-2

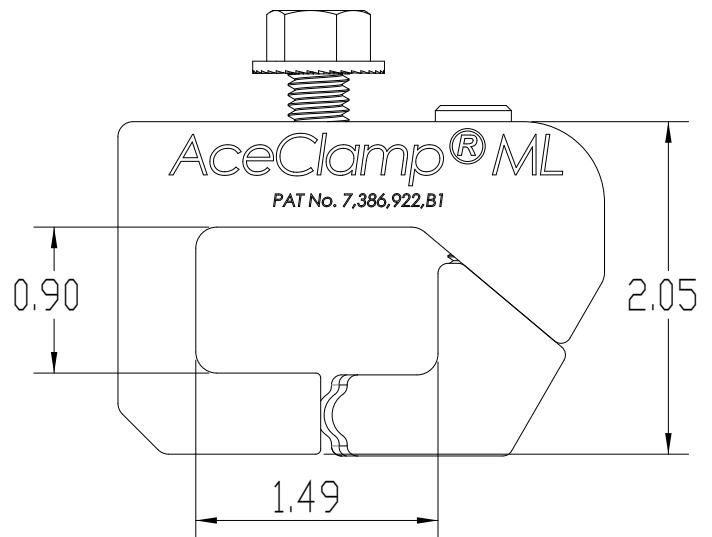
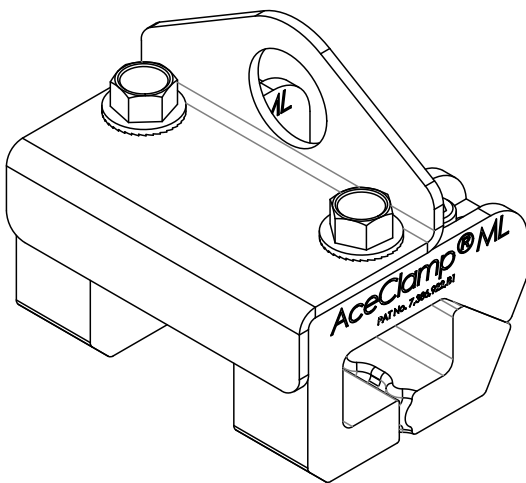
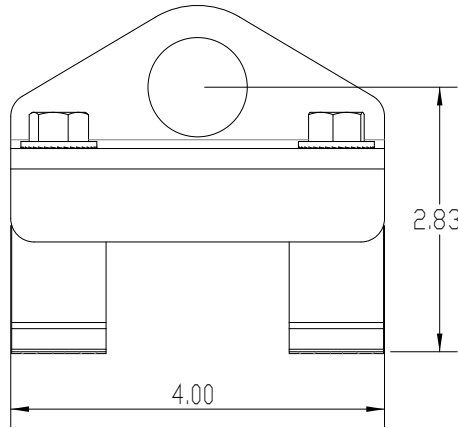


ML[®] 1-Bar, 2 Clamp Assembly

- Our one bar, 2 clamp system is designed for **light snow loads**
- Pre-assembled clamp allows for easy torque installation
- Includes (2) ML[®] clamps and a Z1 bracket



Designed for Architects
Manufactured for Contractors
Labor Savings for Installers



ACE
CLAMP[®]

a product of
PMC Industries Inc

87 Spring Lane | Plainville, CT 06062

860-351-0686



The PROOF Is On The ROOF[™]

*Photos shown are for representative purposes only. Actual product may vary. Design subject to change without notice. Additional panel profiles & torque specs: www.aceclamp.com

V110718