

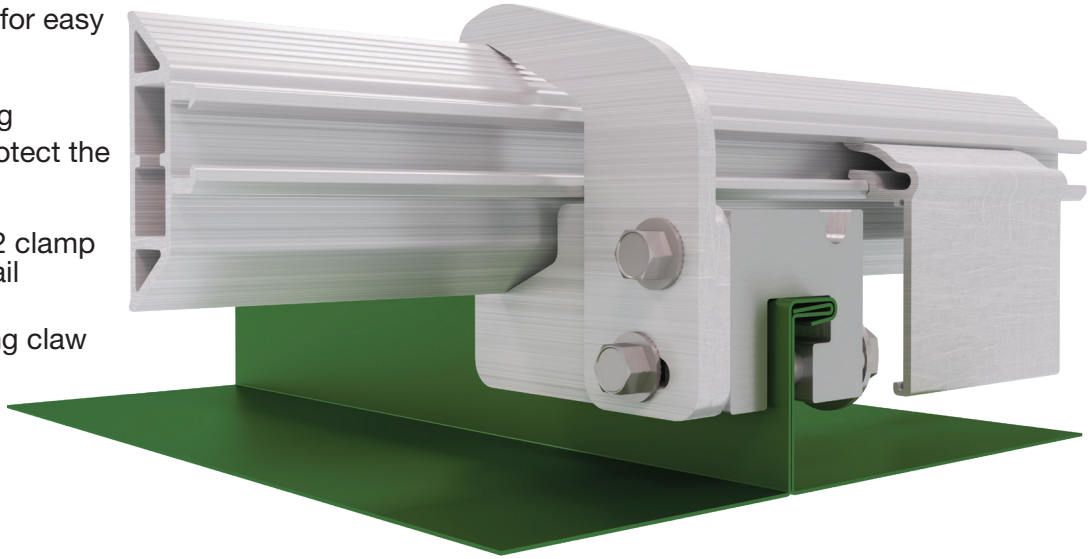
# Cut Sheet | 5069-ST-A2



## A2® Snow Titan® Snow Rail System

This system is designed to handle extreme snow loads

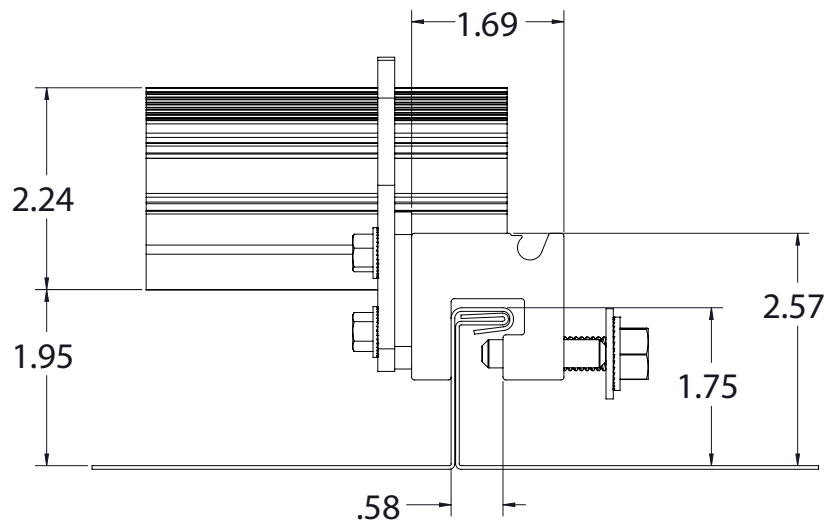
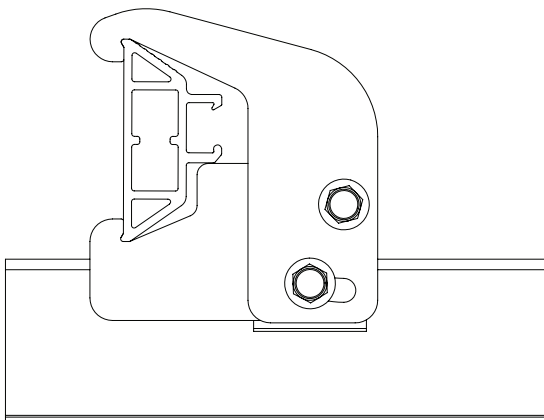
- Pre-assembled clamp allows for easy torque installation
- Our patented, non-penetrating sliding-pin design helps to protect the panel and warranty
- Includes a fully-assembled A2 clamp with our stronger, triangular rail
- One-of-a-kind strong clamping claw
- Ice Flags snap into place for easy installation



*Designed for Architects*

*Manufactured for Contractors*

*Labor Savings for Installers*



**ACE**  
**CLAMP**<sup>®</sup>  
Innovative Roofing Solutions™

a product of  
**PMC** Industries Inc

87 Spring Lane | Plainville, CT 06062  
860-351-0686



\*Based on typical contractor experiences. Photos shown are for representative purposes only. Actual product may vary. Design subject to change without notice. Additional panel profiles & torque specs: [aceclamp.com](http://aceclamp.com). Always use proper safety equipment when working on a roof. Not responsible for typographical errors.

V070319