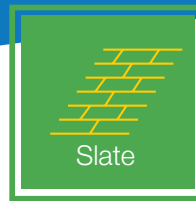
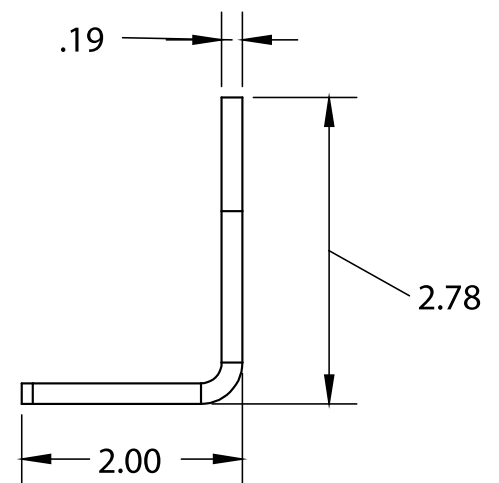
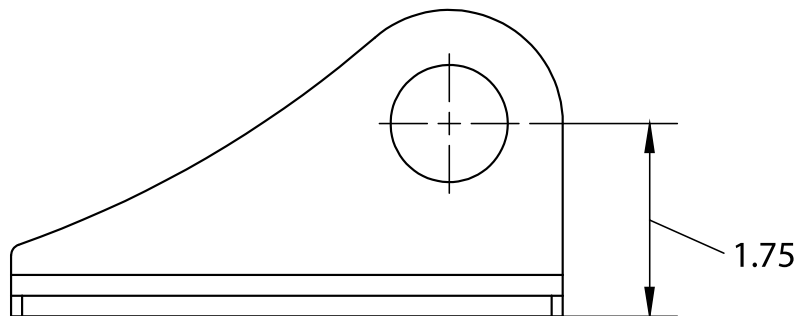
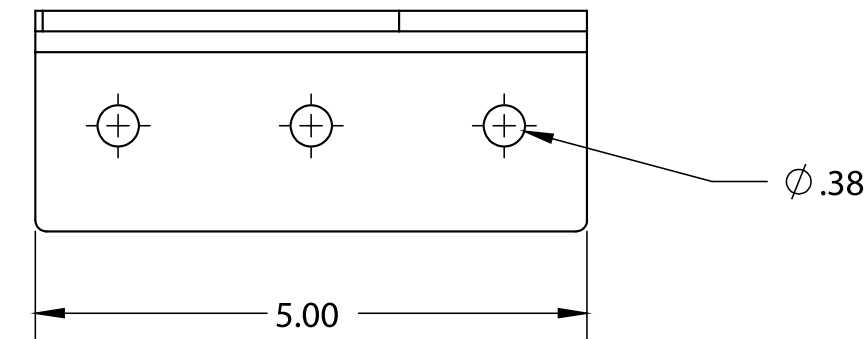
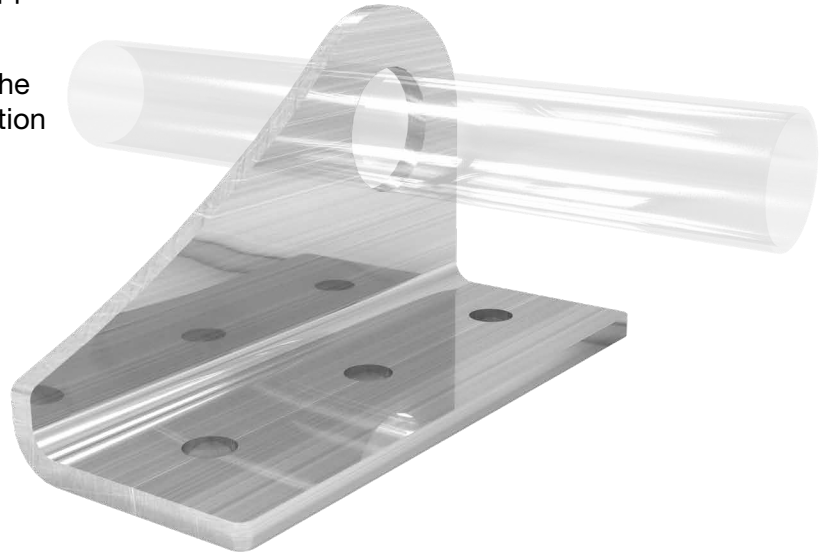


# Cut Sheet | 5070-HD-1.3



## Heavy Duty 1 Bar Snow Bracket

- Our one Bar bracket system for non-metal roof applications is designed for **moderate snow loads**.
- Installation to be completed in accordance with the manufacturer's written specifications and installation instructions.
- Contact AceClamp® for custom layouts and materials



**ACE**  
CLAMP®

a product of  
**PMC** Industries Inc

87 Spring Lane | Plainville, CT 06062

860-351-0686



The PROOF Is On The ROOF™

\*Photos shown are for representative purposes only. Actual product may vary. Design subject to change without notice. Additional panel profiles & torque specs: [www.aceclamp.com](http://www.aceclamp.com)

V110718