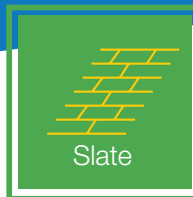
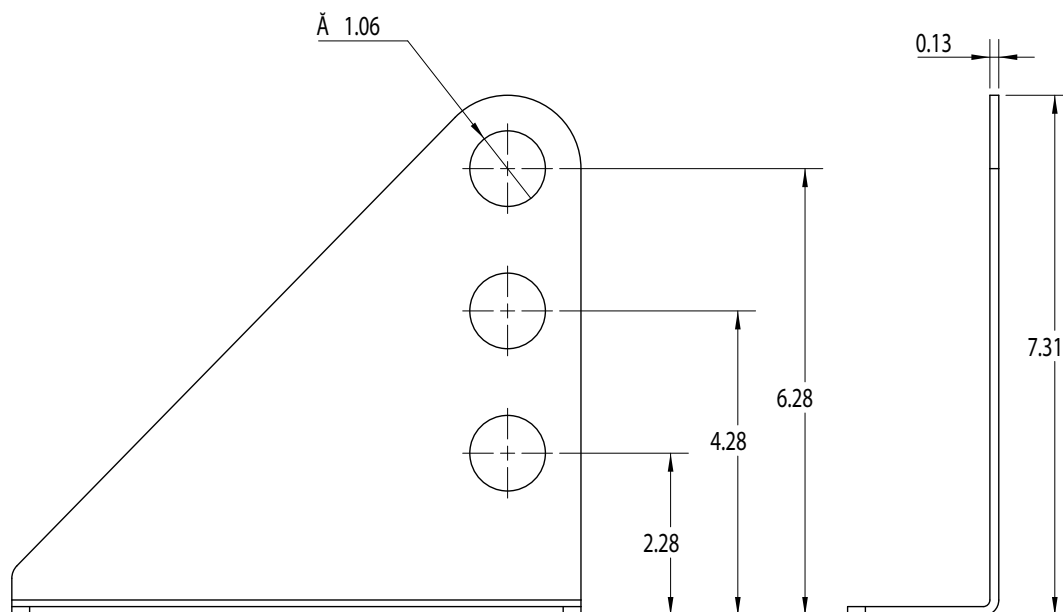
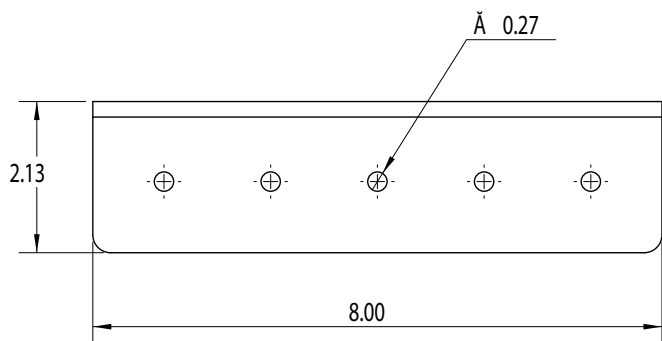
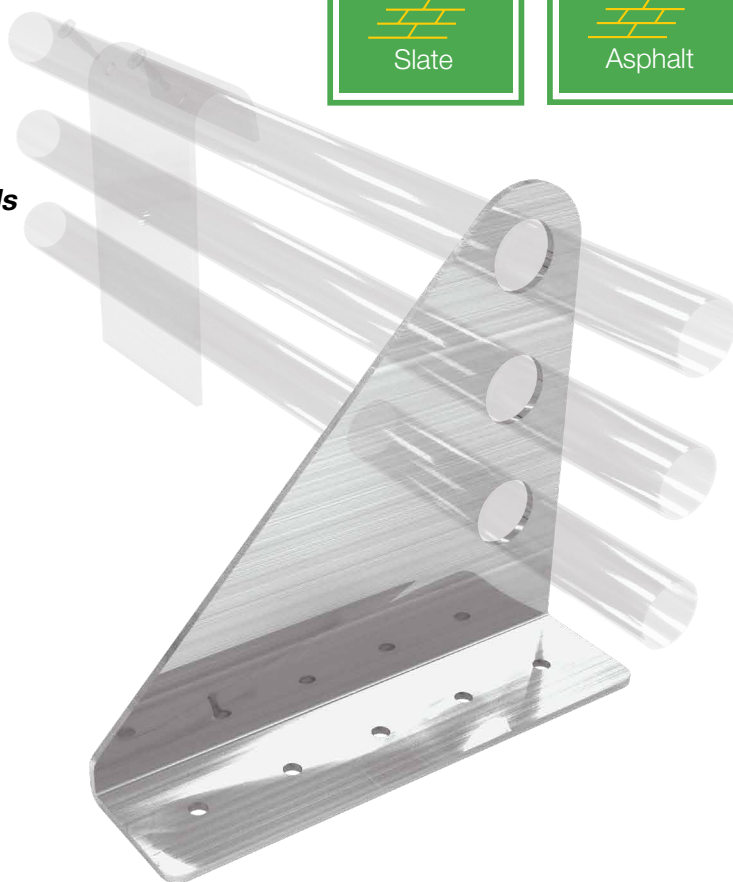


Cut Sheet | 5070-3



Standard 3 Bar Snow Bracket

- Our three bar system is designed for **heavy snow loads**
- Installation to be completed in accordance with the manufacturer's written specifications and installation instructions.
- Manufactured in Aluminum, Stainless Steel or Brass
- Contact AceClamp® for custom layouts and materials



ACE
CLAMP®

a product of
PMC Industries Inc

87 Spring Lane | Plainville, CT 06062

860-351-0686



The PROOF Is On The ROOF™

*Photos shown are for representative purposes only. Actual product may vary. Design subject to change without notice. Additional panel profiles & torque specs: www.aceclamp.com

V110718