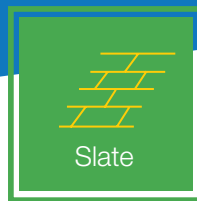


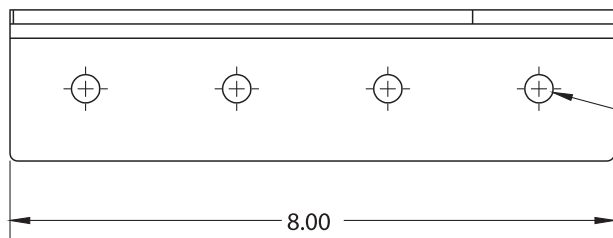
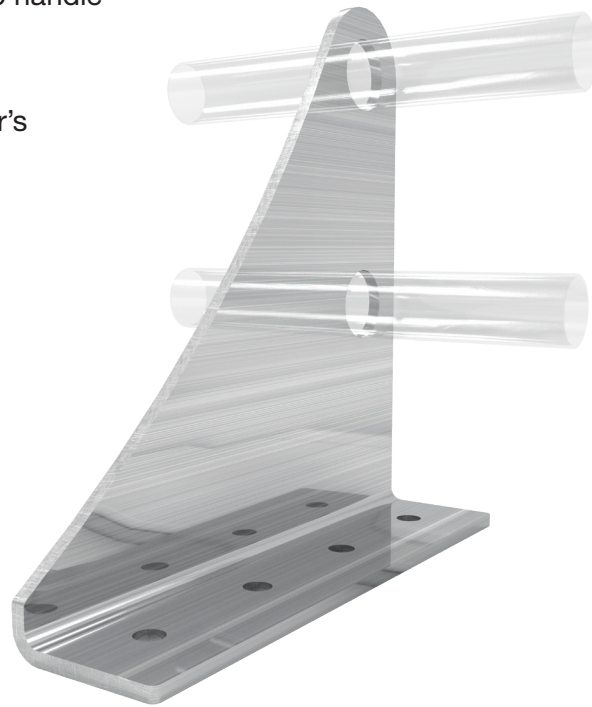
Cut Sheet | 5070-HD-2.4



Heavy Duty 2 Bar Snow Bracket

This system is designed for non-metal roof applications and is built to handle *moderate to heavy snow loads*.

- Installation to be completed in accordance with the manufacturer's written specifications and installation instructions.
- Manufactured in Aluminum, Stainless Steel or Brass
- Contact AceClamp® for custom layouts and materials
- Slate applications require a base plate, which is sold separately



Ø .38

